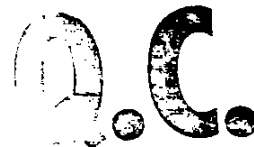


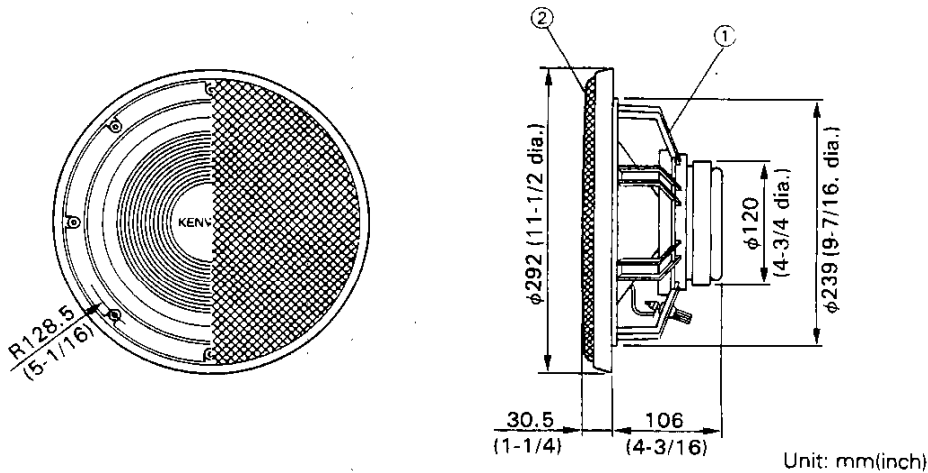
KFC-W410 SERVICE MANUAL

KENWOOD



©1991-5 PRINTED IN JAPAN
B51-6330-00(1) 14 9

EXTERNAL VIEW

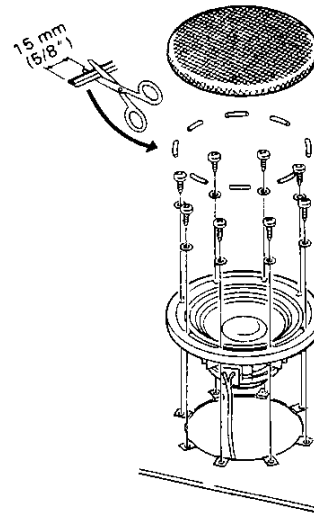


SPECIFICATIONS

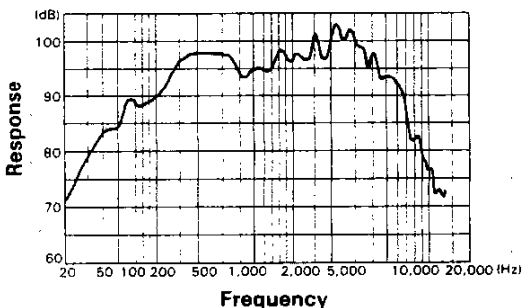
Note: KENWOOD follows a policy of continuous advancements in development. For this reason specifications may be changed without notice.

Subwoofer	250 mm (10") Cone Type
Nominal Impedance	4 ohms
Peak Input Power	400 watts
Rated Input Power	130 watts
Sensitivity	95 dB/watt at 1 m
Free Air Resonance	45 Hz
Frequency Response	45 to 6,000 Hz
Recommended Crossover Frequency	800 Hz or lower
Dimensions	Diameter: 292 mm (11-1/2")
	Height: 30.5 mm (1-1/4")
	Depth: 106 mm (4-3/16")
Net Weight	2.6 kg (5-3/4 lbs)/piece
Supplied Parts	Protectors x 2
	Screws ϕ 4 - 25 mm (3/16" dia. - 1") x 16
	Washers ϕ 4 (3/16" dia.) x 16
	Clip nuts ϕ 4 (3/16" dia.) x 16
	Butyl rubber x 1

INSTALLATION



FREQUENCY RESPONSE



PARTS LIST

★ New parts
Parts without **Parts No.** are not supplied.
Les articles non mentionnés dans le **Parts No.** ne sont pas fournis.
Teile ohne **Parts No.** werden nicht geliefert.

Ref No.	New Parts	Parts No.	Description
-	★	N99-1199-08	SCREW SET
①	★	T10-0527-08	SPEAKER
②	★	F09-1019-08	PROTECTOR